

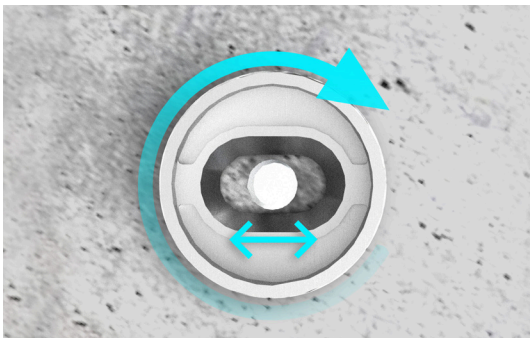
BV3500RS is our regulated glass adapter. Manufactured from 316 stainless steel, it makes the installation easy. The regulated adapter allows precise glass fixation with its 2-axis regulation. Left/Right, Up/Down, and Forward/Backward, a possibility to adjust in every direction. The 316 stainless steel is well known for its superior corrosion resistance and durability.

BV3500RS can be used on french balconies, staircases, and glass railings. It can support glass with thicknesses from 12 to 24mm.

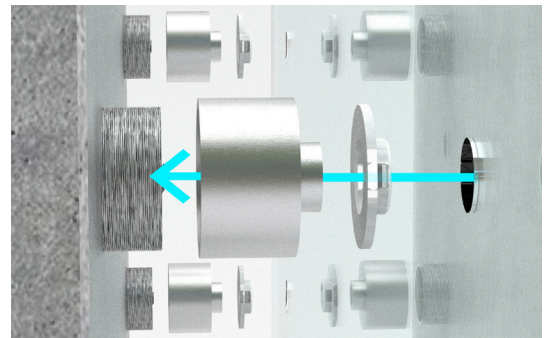
/ INSTALATION GUIDE



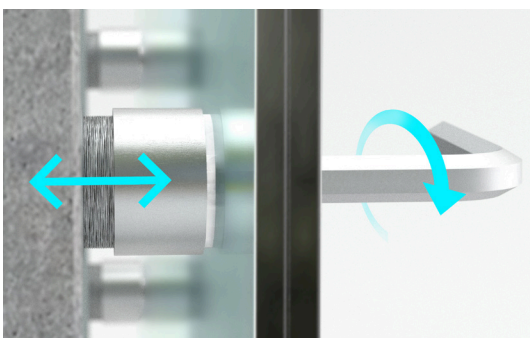
Full certification available on our website www.barosvision.com/en/



1. You can adjust standoff position.



2. Screw the spacer and add the plastic protectors. Place the glass.



3. You can move backwards or forwards to regulate the glass.



4. Once everything is in place screw on top part of the standoff. Finished look.